

SCANLAN® VATS
Subxiphoid / Subcostal Instruments

SCANLAN® VATS
Subxiphoid / Subcostal Instruments

SCANLAN® VATS
Subxiphoid / Subcostal Instruments

SCANLAN®
Dennis Dissector



Cat. No.	Description	Ratchet
9009-282	Curved Left Serrated Jaws	Yes
9009-283		No

SCANLAN®
Foerster Lung Grasping Clamp



Cat. No.	Description	Ratchet
9909-925	Curved Left 20 mm Oval Ring Jaws	Yes

SCANLAN®
Dennis Suction Instruments



Cat. No.	Description	Variable Suction	Shaft Size & Tip Width
9009-916	Curved Blunt Tip	No	Shaft: 5 mm Tip: 7.5 mm
9009-917		Yes	

SCANLAN®
Node Grasping Clamps

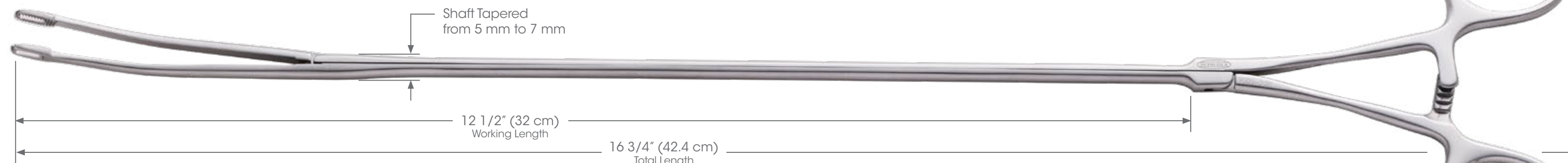


Cat. No.	Description	Ratchet
9009-220	Curved Left 11 mm Oblong Jaws	Yes
9009-221		No

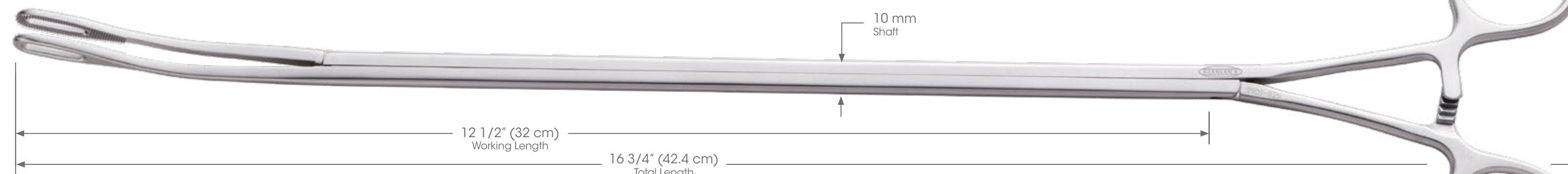
SCANLAN®
Duval Lung Grasping Clamp



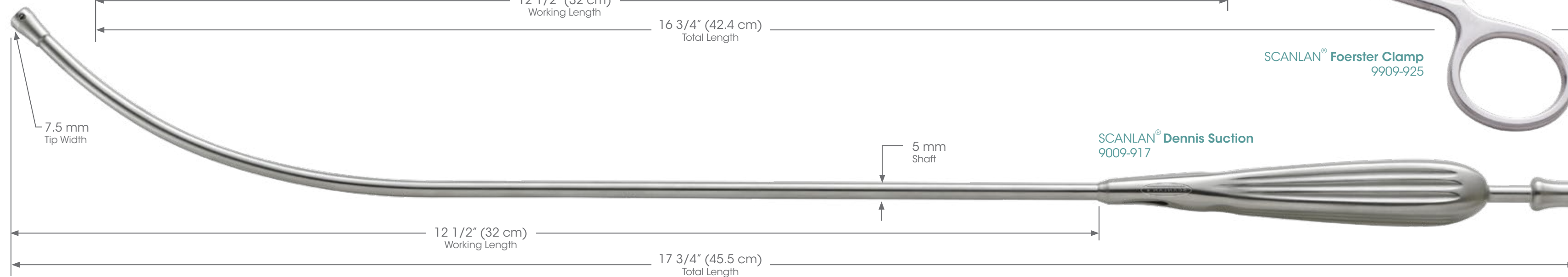
Cat. No.	Description	Ratchet
9909-928	Curved Left 1 cm Width Triangle Jaws	Yes



SCANLAN® Node Grasping Clamp
9009-220



SCANLAN® Foerster Clamp
9909-925



SCANLAN® Dennis Suction
9009-917

Variable Suction Regulator



Designed with a unique tear-shaped port. The variable suction regulator allows for variable suction control.

