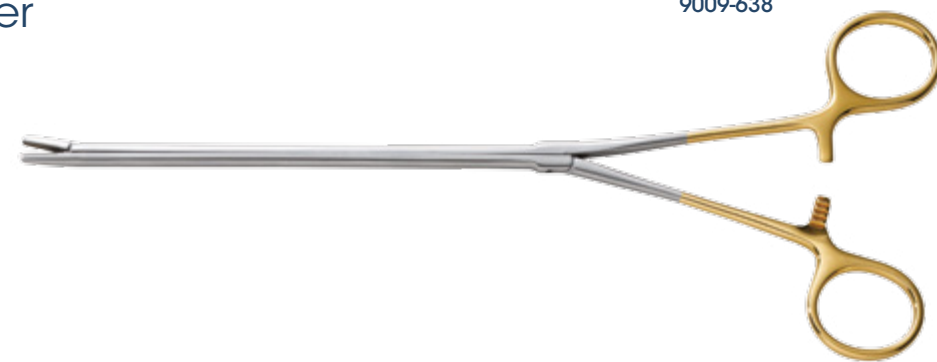


SCANLAN® Uniportal / Single-Incision VATS Instruments

SCANLAN® Needle Holder

9009-638

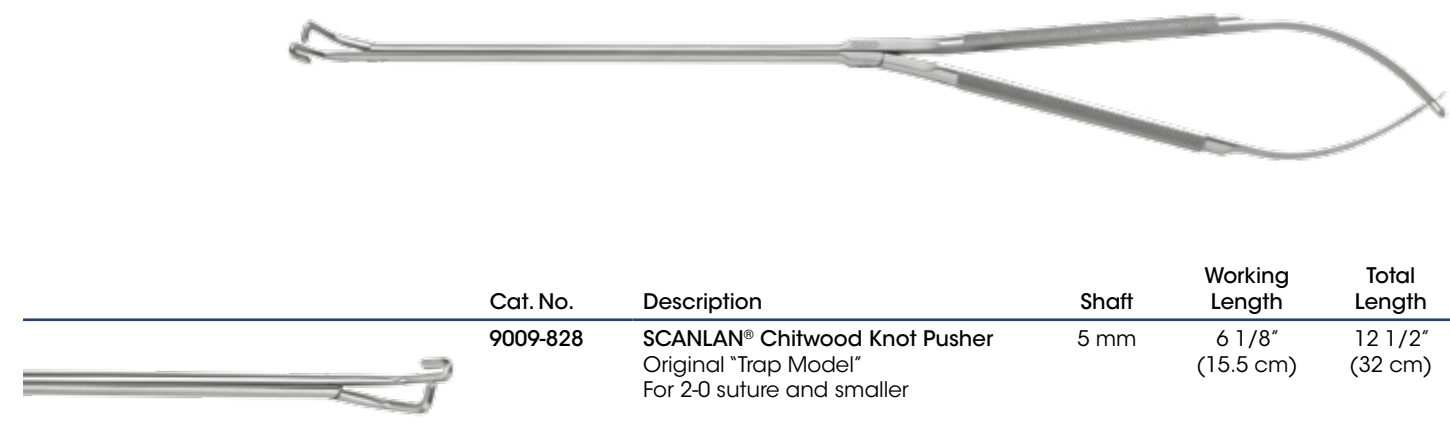


Cat. No.	Description	Shaft	Working Length	Total Length
9009-638	SCANLAN® Needle Holder Straight carbon-inlay jaws, gold ring handle, for 2-0 suture and smaller	7 mm	6 1/4" (16 cm)	11 1/4" (28.5 cm)
9909-610 <i>(alternative to 9009-638)</i>	SCANLAN® Needle Holder Straight carbon-inlay jaws, gold ring handle, for 2-0 suture and smaller	10 mm	8 1/4" (21 cm)	13 1/2" (34 cm)

SCANLAN® Chitwood Knot Pusher

Developed in cooperation with W. Randolph Chitwood Jr., MD

9009-828



Cat. No.	Description	Shaft	Working Length	Total Length
9009-828	SCANLAN® Chitwood Knot Pusher Original "Trap Model" For 2-0 suture and smaller	5 mm	6 1/8" (15.5 cm)	12 1/2" (32 cm)

SCANLAN® VATS Instruments

Durability

Scanlan uses only the highest quality stainless steel to produce long-lasting, corrosion resistant surgical instrumentation.



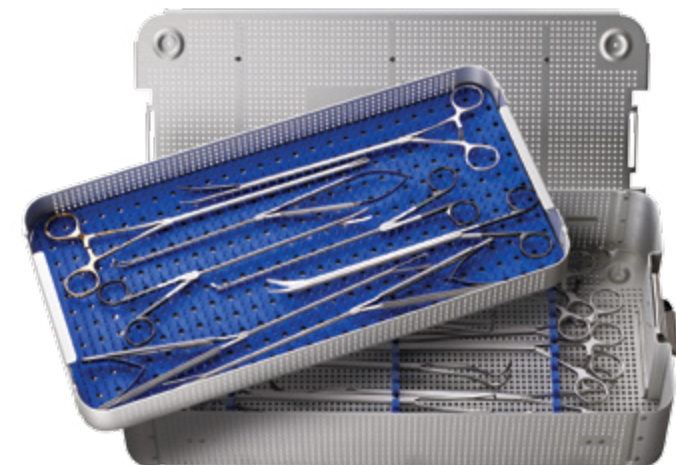
SCANLAN® Uniportal / Single-Incision VATS Instruments

SCANLAN® Metal Sterilization Trays Aluminum, Silicone Inserts, Detachable Lids

2145-03



2146-03



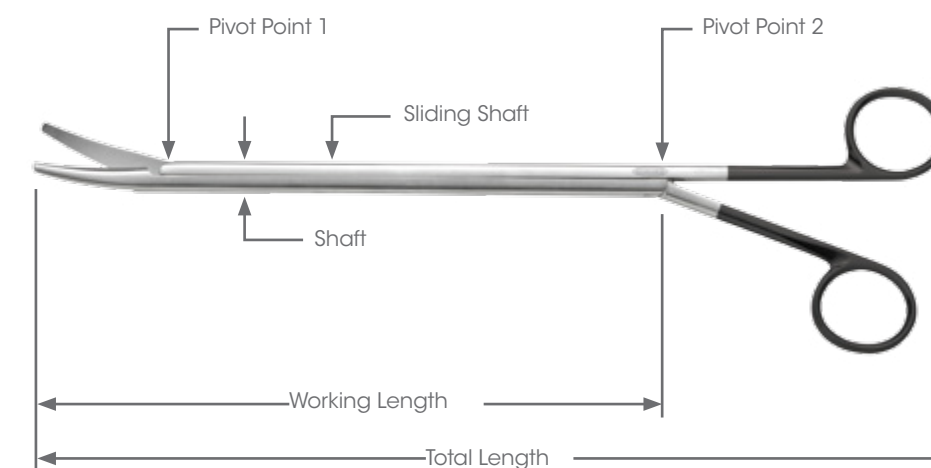
Cat. No.	Description	Capacity
2145-03	SCANLAN® Metal Sterilization Tray Silver-gray color, 10.5" x 21" x 2.5" (26 x 53 x 6.4 cm) Firm Sale - May be available for evaluation	Up to 12 VATS / MIS Instruments
2146-03	SCANLAN® Metal Sterilization Tray Silver-gray color, additional tray insert with full silicone mat, 10.25" x 21.75" x 4" (26 cm x 55.2 cm x 10 cm) Firm Sale	20+ VATS / MIS Instruments

All trays are steam, flash (immediate use), ETO, and plasma sterilization compatible.

SCANLAN® VATS Instruments

Unique Dual Pivot Point Design

Scanlan VATS instruments have a unique 2-pivot point design. The advantage of this design is that the jaws are fully functional when the instrument is inserted through a small intercostal incision.



Information on Uniportal VATS Surgery at the UCTMI
(Unidad de Cirugía Torácica Mínimamente Invasiva)
Dr. Gonzalez-Rivas website: <http://www.videothoracoscopy.com/>



SCANLAN® Uniportal / Single-Incision VATS Instruments

As recommended by Diego Gonzalez-Rivas, MD, FETCS



Uniportal (single-incision) VATS surgery
"Avoiding the trocar improves the instrumentation and minimizes the compression of the intercostal nerve"

Dr. Gonzalez-Rivas

To View Additional
SCANLAN® VATS Instruments
Use your Smart Phone and
QR Reader software to scan
this code.



For more information or to place
an order, please contact your local
Scanlan representative, or call...

U.S. & Canada: 800-328-9458
International: 651-298-0997
FAX: 651-298-0018
www.scanlaninternational.com

This technique description is made available to the healthcare professional to illustrate a possible treatment for an uncomplicated procedure. The preferred treatment is that which addresses the unique needs of the individual patient.

Photo courtesy of Dr. Gonzalez-Rivas



SCANLAN® Uniportal / Single-Incision VATS Instruments

SCANLAN® Lung Grasping Clamps

9009-230



Cat. No.	Description	Shaft	Working Length	Total Length
NEW 9009-230	SCANLAN® Gonzalez-Rivas Foerster Clamp high tension, curved left, 20 mm oval ring jaws with ratchet Developed in cooperation with Diego Gonzalez-Rivas, MD, FETCS	7 mm tapered to 10 mm	5 3/4" (14.5 cm)	9 3/4" (24.5 cm)
9909-920	SCANLAN® Foerster Clamp curved left, 20 mm oval ring jaws with ratchet	10 mm	9 1/2" (24 cm)	13 1/4" (33.5 cm)
9909-922 <i>(alternative to 9009-230)</i>	SCANLAN® Foerster Clamp curved left, 20 mm oval ring jaws with ratchet	10 mm	7 1/2" (19 cm)	11 1/2" (29 cm)

SCANLAN® Node Grasper / Dissector

9009-228



Cat. No.	Description	Shaft	Working Length	Total Length
9009-223	SCANLAN® Node Grasping Forceps curved 11 mm oblong ring jaws with ratchet	5 mm	9" (23 cm)	13" (33 cm)
9009-228	SCANLAN® Foerster Clamp curved left, 12 mm oval ring jaws with ratchet	7 mm	7 1/2" (19 cm)	11 1/2" (29 cm)
9009-226 <i>(alternative to 9009-228)</i>	SCANLAN® Foerster Clamp curved left, 12 mm oval ring jaws with ratchet	7 mm	9 1/4" (23.5 cm)	13 1/4" (33.5 cm)



SCANLAN® Uniportal / Single-Incision VATS Instruments

SCANLAN® Gonzalez-Rivas Dissector

9009-211

Developed in cooperation with Diego Gonzalez-Rivas, MD, FETCS



Cat. No.	Description	Shaft	Working Length	Total Length
9009-211	SCANLAN® Gonzalez-Rivas Dissector Mixer-style, 1 x 2 DeBakey jaws, without ratchet	5 mm	7 1/2" (19 cm)	11 1/2" (29 cm)
NEW 9009-213 <i>(alternative to 9009-211)</i>	SCANLAN® Gonzalez-Rivas Dissector Fine tip, mixer-style, 1 x 2 DeBakey jaws, without ratchet	5 mm	7 1/2" (19 cm)	11 1/2" (29 cm)

SCANLAN® Super Cut™ Scissors

9909-910SC



Cat. No.	Description	Shaft	Working Length	Total Length
9909-910SC	SCANLAN® Metzenbaum Scissors 3.5 cm curved blades, blunt tips black platinum ring handle	10 mm	7 3/4" (19.5 cm)	11 1/2" (29 cm)

"Although uniportal video-assisted thoracoscopic (VATS) lobectomy can be performed with conventional instruments, the use of specially adapted conventional material (such as instrumentation with both proximal and distal articulation) seems to be more fitted for successful single-incision lobectomy."

– Dr. Gonzalez-Rivas



SCANLAN® Uniportal / Single-Incision VATS Instruments

SCANLAN® DeBakey Forceps

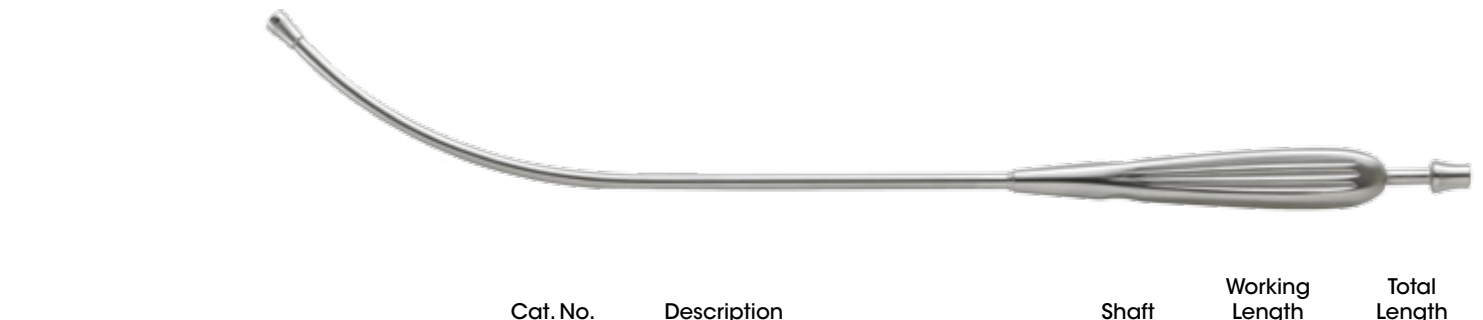
9009-528



Cat. No.	Description	Shaft	Working Length	Total Length
9009-528	SCANLAN® Axial Handle Forceps 2.5 mm width, 1 x 2 DeBakey jaws, without ratchet	5 mm	6 1/4" (16 cm)	12 1/2" (32 cm)
9009-522 <i>(alternative to 9009-528)</i>	SCANLAN® Axial Handle Forceps 2.5 mm width, 1 x 2 DeBakey jaws, without ratchet	5 mm	8" (20 cm)	14 1/4" (36 cm)

SCANLAN® Suction

9009-914



Cat. No.	Description	Shaft	Working Length	Total Length
9009-914	SCANLAN® Dennis Suction Curved blunt tip, 7.5 mm width	5 mm	8 3/4" (22 cm)	14 1/4" (36 cm)

SCANLAN® VATS Instruments: Conventional Ring Style Handles

Provides a familiar, comfortable feel in the surgeon's hand allowing the surgeon to focus on the surgical technique rather than on how to use the instrument.

Individually Hand Crafted

Scanlan's skilled artisans create one unique instrument at a time... to ensure superior tactile feel, balance and performance.

